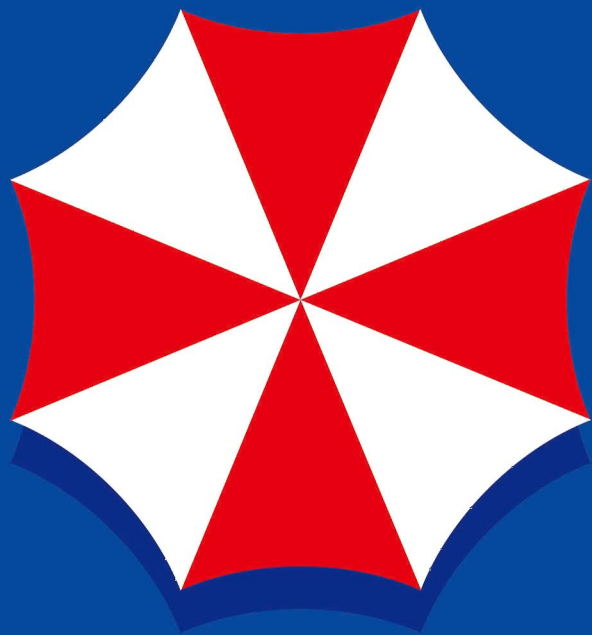




The brand  
MAY GO  
means  
MAY YOU  
SUCCEED.



# ABOUT US



Hangzhou Maygo Pool Technology Co., Ltd is a science and technology enterprise specializing in the design and manufacture of Pool Pump, pool equipment and pool series products for household and commercial swimming pools, water parks, mariculture, waterscape gardening and SPA.

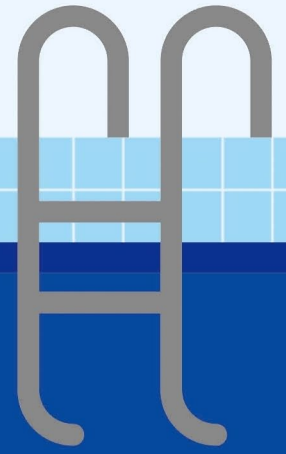
Our company is located in Hangzhou, Zhejiang which is a paradise on earth with beautiful scence. The company has excellent product development and technical personnel, advanced production equipment and technology with training a group of experienced production of high-skilled personnel. The company carries out joint laboratory with well-known universities to ensure that its innovation and research and development capabilities are in a leading position.

Our company has passed ISO 9001:2008 quality management system certification. The pump serious have passed the United States ETL, Europe CE, China 3C and other safety certification. Continuous pursuit of better quality and better service makes us in a leading position in the peer competition. More and more customers choose our products because of trust.

The main products of the company include: various styles of swimming pool pumps, sand filter, safety handrails, escalator accessories; Sauna / swimming pool water curtain, landscape waterfall water curtain, sauna / swimming pool spa massage nozzle device, sauna / swimming pool spa bubble spray board; A variety of outdoor shower devices; Track route coil device; Starting platform; Lifeguard / referee seat and Fountain series products.



# CONTENTS

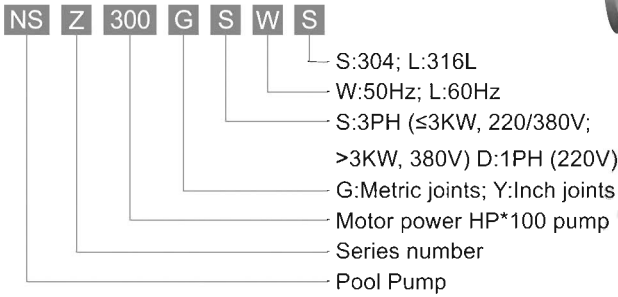


|  |    |
|--|----|
| ● NSZ Stainless Steel Pool Pump            | 1  |
| ● NSZ Stainless Steel Pool Pump            | 2  |
| ● NSA Pool Pump (50Hz)                     | 3  |
| ● NSC Pool Pump (50Hz)                     | 4  |
| ● NSW Pool Pump (50Hz)                     | 5  |
| ● NSJ Small Pump (50HZ)                    | 6  |
| ● NSA Pool Pump (60Hz)                     | 7  |
| ● NSC Pool Pump (60Hz)                     | 8  |
| ● NSW Pool Pump (60Hz)                     | 9  |
| ● Pool Pump Joint Assembly                 | 10 |
| ● NGS Fiberglass Sand Filter Top Mount     | 11 |
| ● NGF Fiberglass Sand Filter Side Mount    | 12 |
| ● NGA Plastic Sand Filter Top Mount        | 13 |
| ● NGC Plastic Sand Filter Side Mount       | 14 |
| ● NGW Plastic Sand Filter Filtration Combo | 15 |

# NSZ Stainless Steel Pool Pump



## Model Definition



## Materials

- Stainless Steel AISI 304 made pump body, impeller, shaft and filter
- Mechanical seal material: Graphite/ Silicon Carbide
- Rubber parts: NBR

## Motor

- 380V 50Hz
- Totally enclosed motor with air-cooled secondary motor
- Protection class: IP55
- Insulation class: F

## Typical Applications

- Water circulation and filtration in large swimming pools.

## Working Condition

- Working Temp: -20-100°C
- Ambient Temp: ≤40°C
- Working Pressure: ≤10bar

## Curve Condition

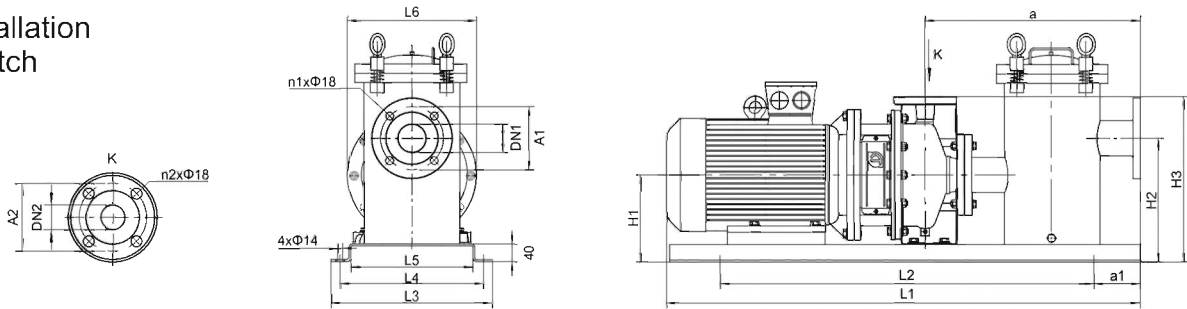
Following condition are suitable for performance below:

- Curve tolerance conform to ISO9906:2012 Grade 3B.
- All curves are based on measured values under motor speed 2900rpm or 2950rpm.
- Measurement is done with 20°C air-free water with kinematic viscosity of 1mm<sup>2</sup>/s.

## Characteristic

- NSZ stainless steel horizontal single pole swimming Pool Pump are made by advanced processing like stainless steel plate stamping and bulging welding technology. It can replace traditional casting pool pumps. It is high efficient, energy-saving, light corrosion resistant with beautiful appearance, light but compact structure, low noise and long durability.

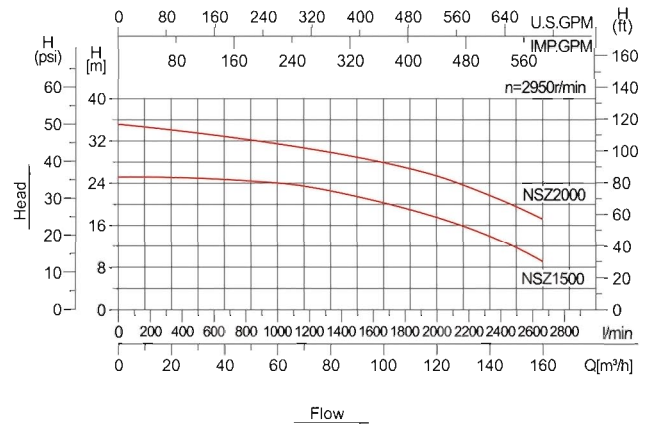
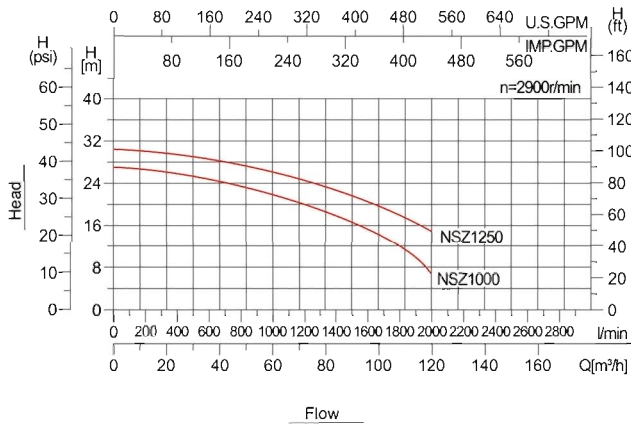
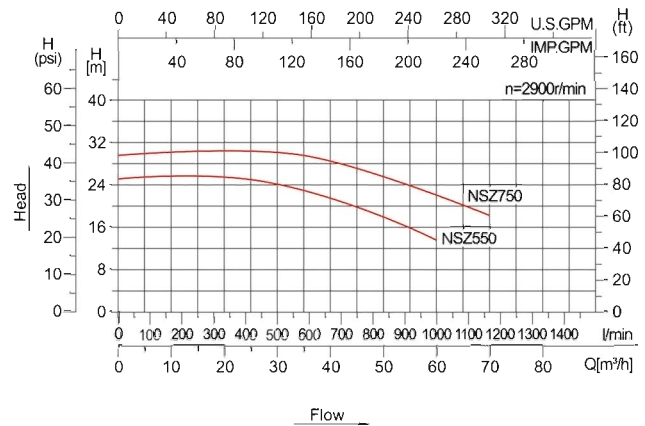
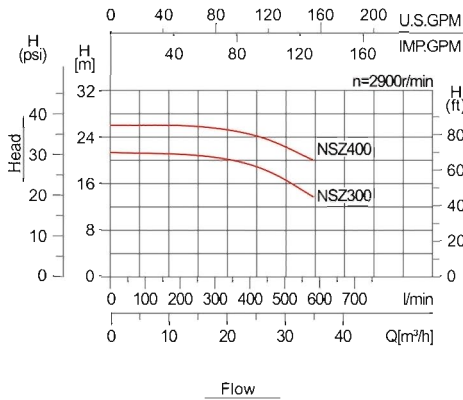
## Installation Sketch



| Model   | Dimension[mm] |     |     |     |    |    |     |    |     |     |     |      |      |     |     |     |     |  |
|---------|---------------|-----|-----|-----|----|----|-----|----|-----|-----|-----|------|------|-----|-----|-----|-----|--|
|         | DN1           | Dn2 | A1  | A2  | n1 | n2 | a   | a1 | H1  | H2  | H3  | L1   | L2   | L3  | L4  | L5  | L6  |  |
| NSZ300  | 65            | 40  | 145 | 110 | 4  | 4  | 460 | 35 | 152 | 272 | 294 | 882  | 810  | 280 | 240 | 192 | 210 |  |
| NSZ400  | 65            | 40  | 145 | 110 | 4  | 4  | 460 | 35 | 152 | 272 | 294 | 912  | 840  | 300 | 260 | 212 | 250 |  |
| NSZ550  | 65            | 50  | 145 | 125 | 4  | 4  | 466 | 41 | 172 | 292 | 338 | 950  | 870  | 330 | 290 | 242 | 250 |  |
| NSZ750  | 65            | 50  | 145 | 125 | 4  | 4  | 480 | 41 | 200 | 290 | 380 | 1060 | 960  | 370 | 330 | 280 | 300 |  |
| NSZ1000 | 80            | 65  | 160 | 145 | 8  | 4  | 535 | 50 | 200 | 320 | 380 | 1125 | 1025 | 370 | 330 | 280 | 300 |  |
| NSZ1250 | 80            | 65  | 160 | 145 | 8  | 4  | 535 | 50 | 200 | 320 | 380 | 1125 | 1025 | 370 | 330 | 280 | 300 |  |
| NSZ1500 | 100           | 80  | 180 | 160 | 8  | 8  | 675 | 50 | 220 | 370 | 445 | 1380 | 1280 | 420 | 380 | 330 | 350 |  |
| NSZ2000 | 100           | 80  | 180 | 160 | 8  | 8  | 675 | 50 | 220 | 370 | 445 | 1380 | 1280 | 420 | 380 | 330 | 350 |  |

# NSZ Stainless Steel Pool Pump

## Performance Curve



## Performance Table

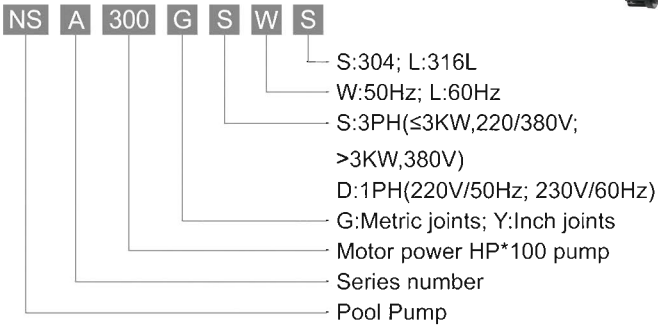
| Model  | P <sub>1</sub> |      | Max Head<br>[m] | Max Flow |         | Packing Size<br>L*W*H[cm] | GW<br>[KG] | Flow Q       | Head H[m] |         |      |      |      |      |      |      |    |
|--------|----------------|------|-----------------|----------|---------|---------------------------|------------|--------------|-----------|---------|------|------|------|------|------|------|----|
|        | [KW]           | [HP] |                 | [m³/h]   | [l/min] |                           |            |              | [m³/h]    | [l/min] | 5    | 10   | 20   | 30   | 35   | 50   | 60 |
| NSZ300 | 2.6            | 3.5  | 21.3            | 35       | 583     | 88*28*50                  | 53         | Head<br>H[m] | 21.1      | 20.9    | 19.8 | 16.4 | 13.6 |      |      |      |    |
| NSZ400 | 3.5            | 4.8  | 26.1            | 35       | 583     | 91*30*50                  | 65         |              | 26.1      | 25.8    | 25.3 | 22.4 | 20   |      |      |      |    |
| NSZ550 | 4.8            | 6.5  | 25.6            | 60       | 1000    | 95*33*51                  | 73         |              | 25.5      | 25.6    | 25.3 | 23.9 | 22.7 | 18   | 13.6 |      |    |
| NSZ750 | 6.7            | 9    | 30.0            | 70       | 1167    | 106*37*54                 | 97         |              | 29.6      | 29.7    | 30   | 29.7 | 29   | 25.5 | 25.5 | 18.2 |    |

| Model   | P <sub>1</sub> |      | Max Head<br>[m] | Max Flow |         | Packing Size<br>L*W*H[cm] | GW<br>[KG] | Flow Q       | Head H[m] |         |      |      |      |      |      |      |     |
|---------|----------------|------|-----------------|----------|---------|---------------------------|------------|--------------|-----------|---------|------|------|------|------|------|------|-----|
|         | [KW]           | [HP] |                 | [m³/h]   | [l/min] |                           |            |              | [m³/h]    | [l/min] | 20   | 40   | 60   | 80   | 100  | 120  | 140 |
| NSZ1000 | 8.5            | 11.5 | 27.0            | 120      | 2000    | 113*37*56                 | 106        | Head<br>H[m] | 26.0      | 24.3    | 21.8 | 18.6 | 14.3 | 6.9  |      |      |     |
| NSZ1250 | 10.5           | 14   | 30.1            | 120      | 2000    | 113*37*56                 | 110        |              | 29.5      | 28.2    | 26.2 | 23.2 | 19.7 | 14.8 |      |      |     |
| NSZ1500 | 12             | 16   | 25.5            | 160      | 2667    | 138*42*67                 | 213        |              | 25.5      | 25.2    | 24.5 | 22.9 | 20.4 | 17.8 | 14.3 | 9.4  |     |
| NSZ2000 | 16.3           | 22   | 35.4            | 160      | 2667    | 138*42*67                 | 223        |              | 34.5      | 33.3    | 31.8 | 30.1 | 28.0 | 25.5 | 22.0 | 17.6 |     |

# NSA Pool Pump (50HZ)



## Model Definition



## Motor

- 230/380V asynchronous two-pole motor
- Protection class: IP55
- Insulation class: F
- Continuous operation capability
- Built-in overheat protection short circuit device

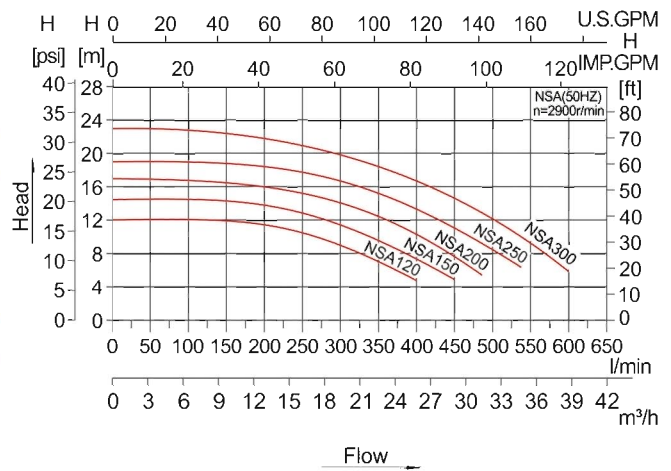
## Materials

- Engineering plastics made water inlet and outlet
- Mechanical seal module material: Graphite/ Silicon Carbide
- O-ring: NBR
- Aluminium motor casing

## Working Condition

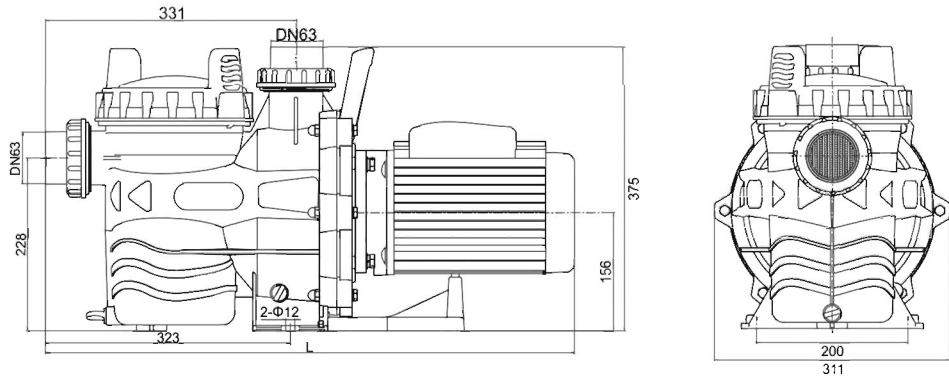
- Working Temp: 5-50°C
- Ambient Temp: ≤40°C
- Max Working Pressure: 0.3MPa
- Max Self-priming Height: 1.5 meters

## Performance Curve



## Installation Sketch

| Model  | L   |
|--------|-----|
| NSA120 | 679 |
| NSA150 |     |
| NSA200 |     |
| NSA250 | 708 |
| NSA300 |     |



## Performance Table

| Model  | P <sub>1</sub> |      | Max Head [m] | Max Flow |         | Packing Size L*W*H[cm] | GW [KG] | Flow Q [m³/h] | Head H[m] |      |      |      |      |      |     |  |  |
|--------|----------------|------|--------------|----------|---------|------------------------|---------|---------------|-----------|------|------|------|------|------|-----|--|--|
|        | [KW]           | [HP] |              | [m³/h]   | [l/min] |                        |         |               | 5         | 10   | 15   | 20   | 25   | 30   | 35  |  |  |
| NSA120 | 1.1            | 1.5  | 12.0         | 24.0     | 400     | 76*35*44               | 19.6    | 83            | 12.0      | 11.9 | 10.0 | 7.5  |      |      |     |  |  |
| NSA150 | 1.5            | 2    | 14.7         | 27.0     | 450     | 76*35*44               | 20.6    | 167           | 14.2      | 14.2 | 13.1 | 11.0 | 6.5  |      |     |  |  |
| NSA200 | 1.85           | 2.5  | 17.5         | 32.0     | 533     | 76*35*44               | 23.5    | 250           | 16.6      | 16.1 | 15.3 | 12.5 | 10.2 | 6.0  |     |  |  |
| NSA250 | 2.2            | 3    | 19.0         | 35.0     | 583     | 76*35*44               | 24.7    | 333           | 18.5      | 18.1 | 17.8 | 16.2 | 13.6 | 9.2  | 5.8 |  |  |
| NSA300 | 3              | 4    | 23.0         | 39.0     | 650     | 76*35*44               | 25.6    | 417           | 22.1      | 21.9 | 20.8 | 18.9 | 16.5 | 13.0 | 8.5 |  |  |

# NSC Pool Pump (50HZ)



## Model Definition

NS C 150 G S W S

- S:304; L:316L
- W:50Hz; L:60Hz
- S:3PH(≤3KW,220/380V; >3KW,380V)
- D:1PH(220V/50Hz; 230V/60Hz)
- G:Metric joints; Y:Inch joints
- Motor power HP\*100 pump
- Series number
- Pool Pump

## Motor

- 230/380V asynchronous two-pole motor
- Protection class: IP55
- Insulation class: F
- Continuous operation capability
- Built-in overheat protection short circuit device

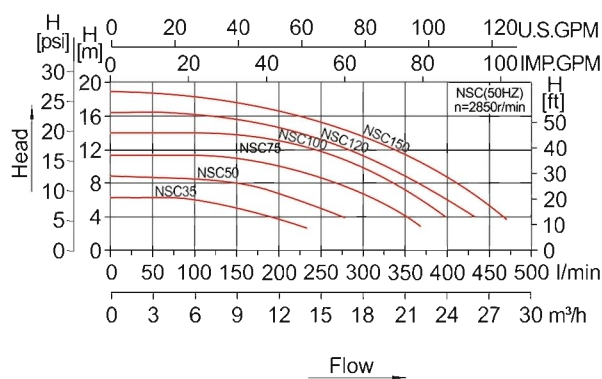
## Materials

- Engineering plastics made water inlet and outlet
- Mechanical seal module material: Graphite/ Silicon Carbide
- O-ring: NBR
- Aluminium motor casing

## Working Condition

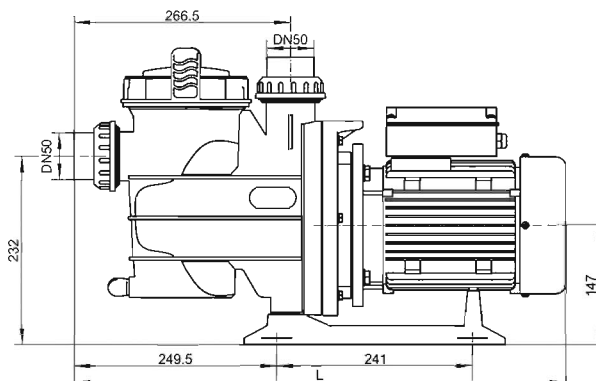
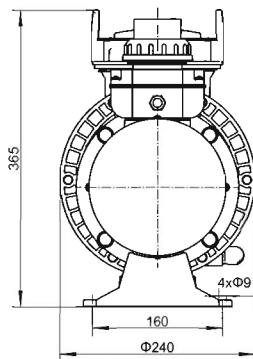
- Working Temp: 5-50°C
- Ambient Temp: ≤40°C
- Max Working Pressure: 0.3MPa
- Max Self-priming Height: 3 meters

## Performance Curve



## Installation Sketch

| Model  | L   |
|--------|-----|
| NSC35  |     |
| NSC50  | 561 |
| NSC75  |     |
| NSC100 |     |
| NSC120 | 616 |
| NSC150 |     |



## Performance Table

| Model  | P <sub>1</sub> |      | Max Head<br>[m] | Max Flow |         | Packing Size<br>L*W*H[cm] | GW<br>[KG] | Flow Q | Head H[m] |         |      |      |      |      |      |     |    |    |
|--------|----------------|------|-----------------|----------|---------|---------------------------|------------|--------|-----------|---------|------|------|------|------|------|-----|----|----|
|        | [KW]           | [HP] |                 | [m³/h]   | [l/min] |                           |            |        | [m³/h]    | [l/min] | 3    | 6    | 9    | 12   | 15   | 18  | 21 | 24 |
| NSC35  | 0.37           | 0.5  | 6.5             | 14.0     | 233     | 58*26*39                  | 10.3       |        | 6.2       | 6.0     | 4.7  | 3.6  |      |      |      |     |    |    |
| NSC50  | 0.55           | 0.75 | 8.5             | 17.0     | 283     | 58*26*39                  | 11.1       |        | 8.6       | 8.5     | 7.6  | 6.5  | 5.0  |      |      |     |    |    |
| NSC75  | 0.75           | 1    | 11.0            | 21.0     | 350     | 58*26*39                  | 11.7       |        | 10.5      | 11      | 10.5 | 9.5  | 7.6  | 5.6  | 3    |     |    |    |
| NSC100 | 0.9            | 1.2  | 14.5            | 24.0     | 400     | 66*26*41                  | 14.1       |        | 14.0      | 13.7    | 13.7 | 13.2 | 12.0 | 9.7  | 7.2  | 4.0 |    |    |
| NSC120 | 1.1            | 1.5  | 16.5            | 25.0     | 417     | 66*26*41                  | 15.3       |        | 16.5      | 16.1    | 15.5 | 14.5 | 13.2 | 11.2 | 8.9  | 6.4 |    |    |
| NSC150 | 1.5            | 2    | 19.0            | 28.0     | 467     | 66*26*41                  | 16.5       |        | 18.5      | 18.4    | 17.6 | 16.5 | 15.3 | 13.5 | 11.3 | 8.9 |    |    |



# NSW Pool Pump (50HZ)

## Model Definition

NS W 150 G S W S

- S:304; L:316L
- W:50Hz; L:60Hz
- S:3PH(≤3KW,220/380V; >3KW,380V)
- D:1PH(220V/50Hz; 230V/60Hz)
- G:Metric joints; Y:Inch joints
- Motor power HP\*100 pump
- Series number
- Pool Pump



## Motor

- 230/380V asynchronous two-pole motor
- Protection class: IP55
- Insulation class: F
- Continuous operation capability
- Built-in overheat protection short circuit device

## Applications

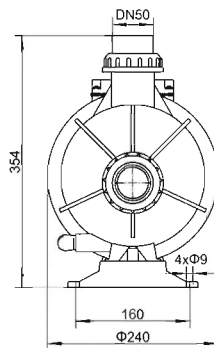
- Household and commercial swimming pool
- Water park
- Water landscape gardening
- Mariculture
- SPA

## Working Condition

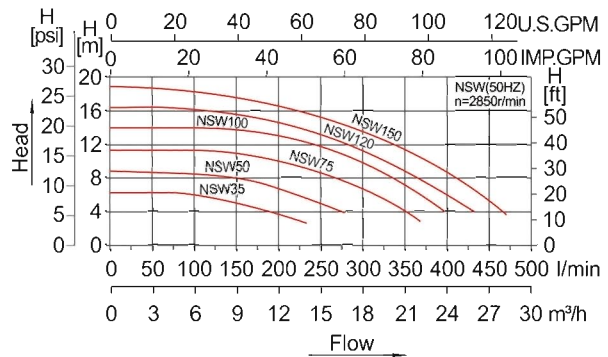
- Working Temp: 5-50°C
- Ambient Temp: ≤40°C
- Max Working Pressure: 0.3MPa

## Installation Sketch

| Model  | L   |
|--------|-----|
| NSW35  |     |
| NSW50  | 462 |
| NSW75  |     |
| NSW100 |     |
| NSW120 | 517 |
| NSW150 |     |

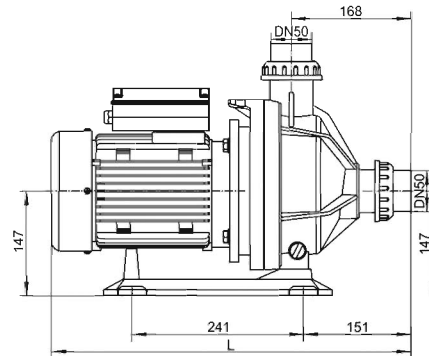


## Performance Curve



## Materials

- Engineering plastics made water inlet and outlet
- Mechanical seal module material: Graphite/ Silicon Carbide
- O-ring: NBR
- Aluminium motor casing



## Performance Table

| Model  | P <sub>1</sub> |      | Max Head<br>[m] | Max Flow |         | Packing Size<br>L*W*H[cm] | GW<br>[KG] | Flow Q | Head H[m] |         |      |      |      |      |      |     |    |    |
|--------|----------------|------|-----------------|----------|---------|---------------------------|------------|--------|-----------|---------|------|------|------|------|------|-----|----|----|
|        | [KW]           | [HP] |                 | [m³/h]   | [l/min] |                           |            |        | [m³/h]    | [l/min] | 3    | 6    | 9    | 12   | 15   | 18  | 21 | 24 |
| NSW35  | 0.37           | 0.5  | 6.5             | 14.0     | 233     | 48*26*35                  | 9.3        |        | 6.2       | 6.0     | 4.7  | 3.6  |      |      |      |     |    |    |
| NSW50  | 0.55           | 0.75 | 8.5             | 17.0     | 283     | 48*26*35                  | 10.1       |        | 8.6       | 8.5     | 7.6  | 6.5  | 5.0  |      |      |     |    |    |
| NSW75  | 0.75           | 1    | 11.5            | 21.0     | 350     | 48*26*35                  | 10.7       | Head   | 11        | 11.5    | 11   | 10   | 8.1  | 6.1  | 3.5  |     |    |    |
| NSW100 | 0.9            | 1.2  | 14.5            | 24.0     | 400     | 56*26*35                  | 13.1       | H[m]   | 14.0      | 13.7    | 13.7 | 13.2 | 12.0 | 9.7  | 7.2  | 4.0 |    |    |
| NSW120 | 1.1            | 1.5  | 16.5            | 25.0     | 417     | 56*26*35                  | 14.3       |        | 16.5      | 16.1    | 15.5 | 14.5 | 13.2 | 11.2 | 8.9  | 6.4 |    |    |
| NSW150 | 1.5            | 2    | 19.0            | 28.0     | 467     | 56*26*35                  | 15.5       |        | 18.5      | 18.4    | 17.6 | 16.5 | 15.3 | 13.5 | 11.3 | 8.9 |    |    |

# NSJ Small Pump (50HZ)

## Features

- Small pump with pre-filter for economic small pools.
- Suitable for artificial waterfall landscape.
- High-tech motor with qualified material provide with cooler running and longer life.

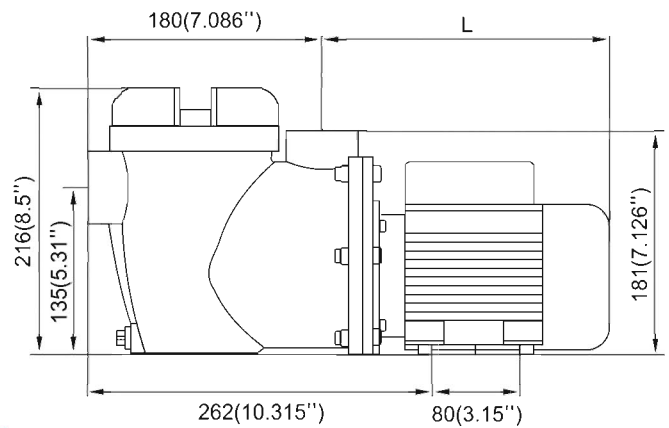
## Advantages

- EPDM O-ring provide with high resistance and avoid leakage
- Stainless Steel 316 spring applicable for sea water and fresh water
- Wide voltage design applies to voltage range from 110v to 250v
- Copper coil ensure cool running and can bear temperature rating at 180°C
- Built-in thermal protector assure long motor lifetime
- Cold rolled sheet inside motor assure 100% high efficiency
- High-precision Stainless Steel shaft reduce noise to 60 dB
- Thermostable oil bearing endure temperature rating at 150°C
- Totally Enclosed Fan Cooled
- Insulation: F
- Protection: Ip54

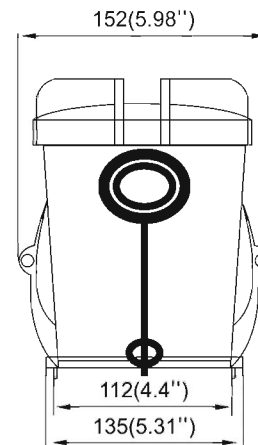
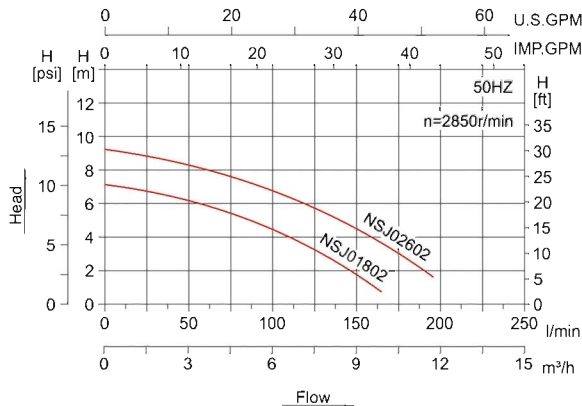
| Model    | L            |
|----------|--------------|
| NSJ01802 | 9.5''(240mm) |
| NSJ02602 | 9.5''(240mm) |



## Performance Curve



## Installation Sketch



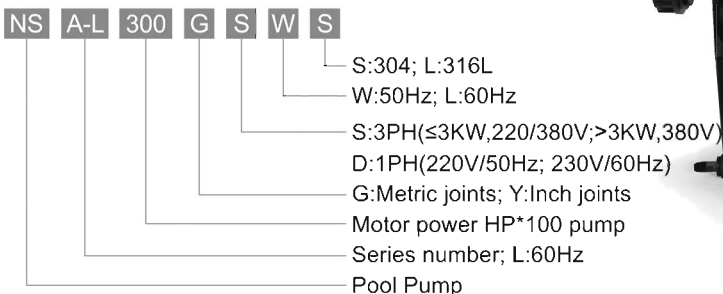
## Performance Table

| Item     | Voltage | Hertz | Input [w] | Output [w] | Amps | Flow Rate [m³/h] | Flow Rate [l/min] | Pipe Size [mm] | Weight [KG] | Packing Size L*W*H[mm] |
|----------|---------|-------|-----------|------------|------|------------------|-------------------|----------------|-------------|------------------------|
| NSJ01802 | 220-240 | 50    | 300       | 180        | 1.00 | 10               | 166               | 38             | 5           | 450*180*270            |
| NSJ02602 | 220-240 | 50    | 400       | 260        | 1.80 | 12               | 200               | 38             | 5           | 450*180*270            |

# NSA Pool Pump (60HZ)



## Model Definition



## Motor

- 115/230V asynchronous two-pole motor (1/1.5/2HP:115/230V; 3HP,230V)
- NEMA service factor: single phase ODP motor
- Insulation class: F
- Continuous operation capability
- Built-in overheat protection short circuit device

## Applications

- Household and commercial swimming pool
- Water park
- Water landscape gardening
- Mariculture
- SPA

## Working Condition

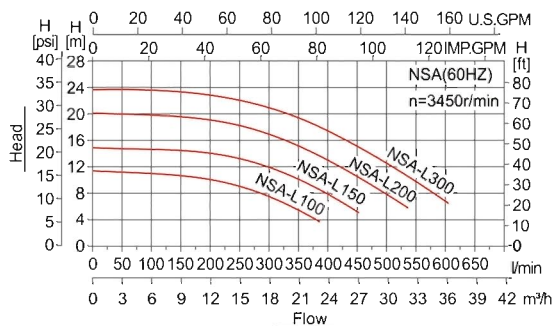
- Working Temp: 5-50°C
- Ambient Temp: ≤40°C
- Max Working Pressure: 0.3MPa

Max Self-priming Height

- 1.5 meters

## Materials

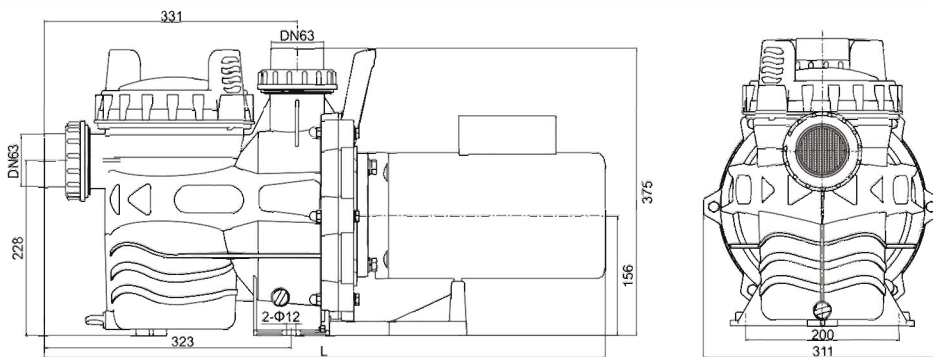
- Engineering plastics water inlet and outlet
- Mechanical seal module material: Graphite/Silicon Carbide
- O-ring: NBR
- 08F rimmed steel motor casing



## Performance Curve

### Installation Sketch

| Model    | L   |
|----------|-----|
| NSA-L100 | 673 |
| NSA-L150 | 694 |
| NSA-L200 | 708 |
| NSA-L300 | 733 |



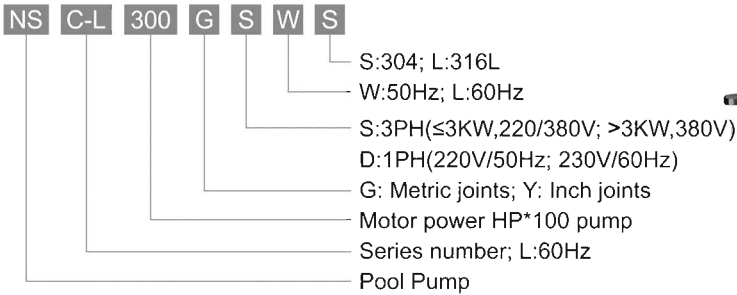
## Performance Table

| Model    | P <sub>1</sub> |      | Max Head [m] | Max Flow |         | Packing Size L*W*H[cm] | GW [KG] | Flow Q       | Head H[m] |         |      |      |      |      |     |    |
|----------|----------------|------|--------------|----------|---------|------------------------|---------|--------------|-----------|---------|------|------|------|------|-----|----|
|          | [KW]           | [HP] |              | [m³/h]   | [l/min] |                        |         |              | [m³/h]    | [l/min] | 5    | 10   | 15   | 20   | 25  | 30 |
| NSA-L100 | 1.1            | 1.5  | 12.0         | 23.0     | 383     | 76*35*44               | 20.6    | Head<br>H[m] | 11.0      | 10.5    | 9.2  | 6.1  |      |      |     |    |
| NSA-L150 | 1.5            | 2    | 15.5         | 27.0     | 450     | 76*35*44               | 22.6    |              | 14.5      | 14.2    | 13.2 | 10.0 | 6.2  |      |     |    |
| NSA-L200 | 2.2            | 3    | 20.0         | 32.0     | 533     | 76*35*44               | 24.6    |              | 20.0      | 19.2    | 18.4 | 15.5 | 12.1 | 8.0  |     |    |
| NSA-L300 | 3              | 4    | 23.5         | 36.0     | 600     | 76*35*44               | 27.6    |              | 23.5      | 22.5    | 22.2 | 19.8 | 16.5 | 13.0 | 7.5 |    |

# NSC Pool Pump (60HZ)



## Model Definition



## Motor

- 115/230V asynchronous single-phase two-pole motor (two voltage configuration: 115/230V)
- NEMA service factor: single phase ODP motor
- Insulation class: F
- Continuous operation capability
- Built-in overheat protection short circuit device

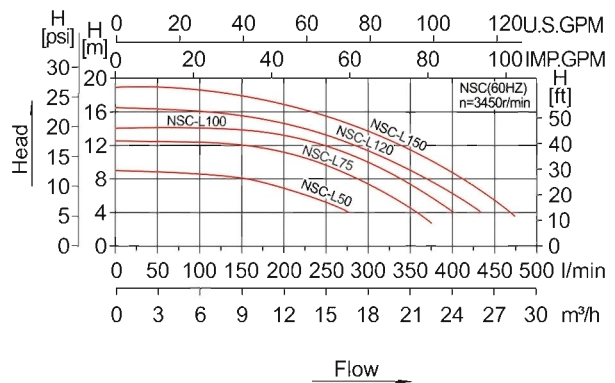
## Materials

- Engineering plastics made water inlet and outlet
- Mechanical seal module material: Graphite/ Silicon Carbide
- O-ring: NBR
- 08F rimmed steel motor casing

## Working Condition

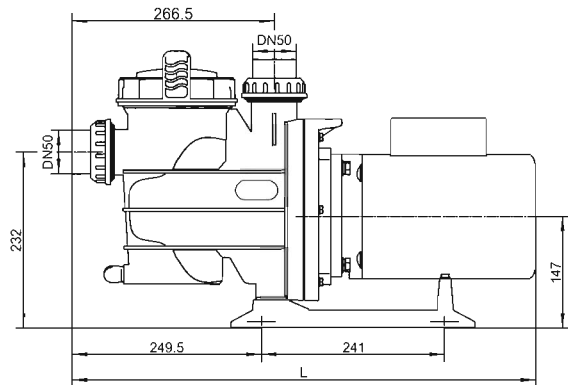
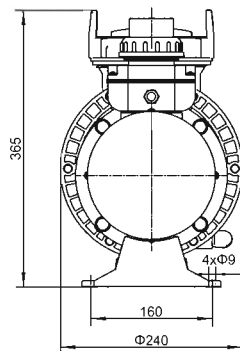
- Working Temp: 5-50°C
  - Ambient Temp:  $\leq 40^\circ C$
  - Max Working Pressure: 0.3MPa
- Max Self-Priming Height
- 3 meters

## Performance Curve



## Installation Sketch

| Model    | L   |
|----------|-----|
| NSC-L50  | 570 |
| NSC-L75  | 570 |
| NSC-L100 | 590 |
| NSC-L120 | 590 |
| NSC-L150 | 610 |

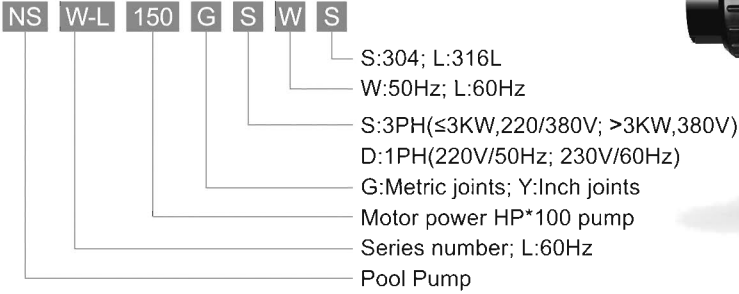


## Performance Table

| Model    | P <sub>1</sub> |      | Max Head [m] | Max Flow |         | Packing Size L*W*H[cm] | GW [KG] | Flow Q | Head H[m] |         |      |      |      |      |      |     |    |    |  |
|----------|----------------|------|--------------|----------|---------|------------------------|---------|--------|-----------|---------|------|------|------|------|------|-----|----|----|--|
|          | [KW]           | [HP] |              | [m³/h]   | [l/min] |                        |         |        | [m³/h]    | [l/min] | 3    | 6    | 9    | 12   | 15   | 18  | 21 | 24 |  |
| NSC-L50  | 0.55           | 0.75 | 8.5          | 17.0     | 283     | 58*26*39               | 11.1    |        | 8.6       | 8.5     | 7.6  | 6.5  | 5.0  |      |      |     |    |    |  |
| NSC-L75  | 0.75           | 1    | 12.0         | 21.0     | 350     | 58*26*39               | 11.7    |        | 12.0      | 12.5    | 12.0 | 11.0 | 9.1  | 7.1  | 4.5  |     |    |    |  |
| NSC-L100 | 0.9            | 1.2  | 14.5         | 24.0     | 400     | 66*26*41               | 14.1    |        | 14.0      | 13.7    | 13.7 | 13.2 | 12.0 | 9.7  | 7.2  | 4.0 |    |    |  |
| NSC-L120 | 1.1            | 1.5  | 16.5         | 25.0     | 417     | 66*26*41               | 15.3    |        | 16.5      | 16.1    | 15.5 | 14.5 | 13.2 | 11.2 | 8.9  | 6.4 |    |    |  |
| NSC-L150 | 1.5            | 2    | 19.0         | 28.0     | 467     | 66*26*41               | 16.5    |        | 18.5      | 18.4    | 17.6 | 16.5 | 15.3 | 13.5 | 11.3 | 8.9 |    |    |  |

# NSW Pool Pump (60HZ)

## Model Definition



## Motor

- 115/230V asynchronous single-phase two-pole motor (two voltage configuration: 115V/230V)
- NEMA service factor, single phase ODP motor
- Insulation class: F
- Continuous operation capability
- Built-in overheat protection short circuit device

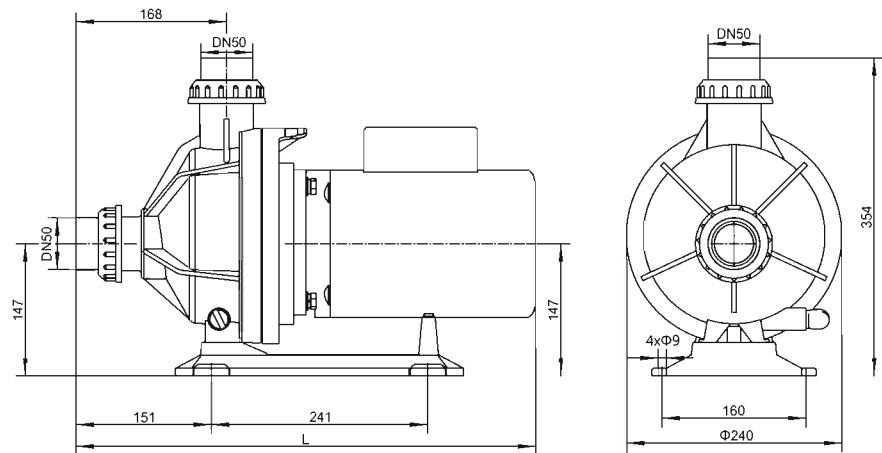
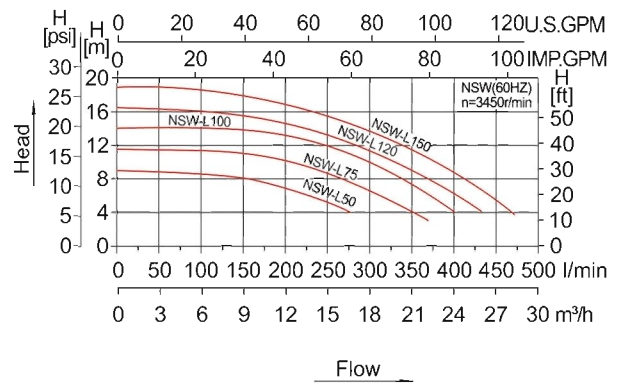
## Materials

- Engineering plastics made water inlet and outlet
- Mechanical seal module material: Graphite/ Silicon Carbide
- O-ring: NBR
- 08F rimmed steel motor casing

## Working Condition

- Working Temp: 5-50°C
- Ambient Temp: ≤40°C
- Max Working Pressure: 0.3MPa

## Performance Curve

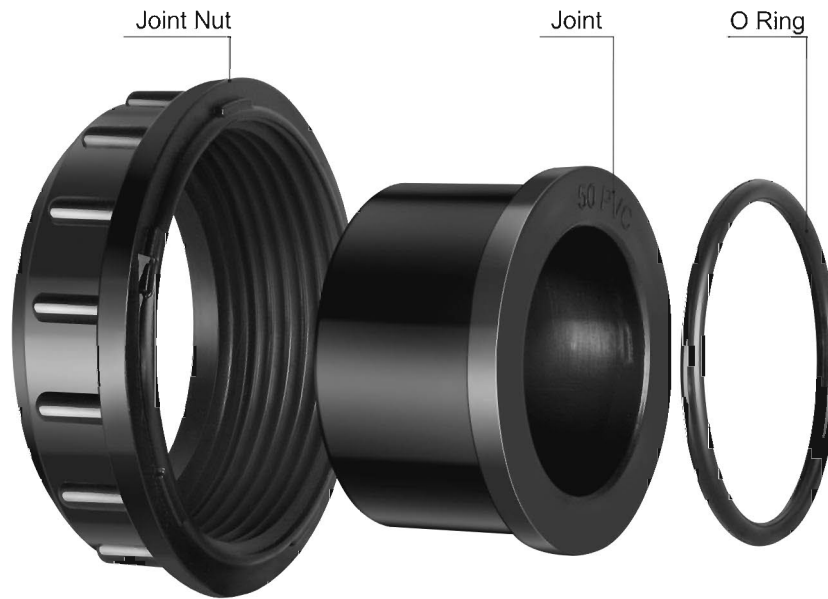


## Performance Table

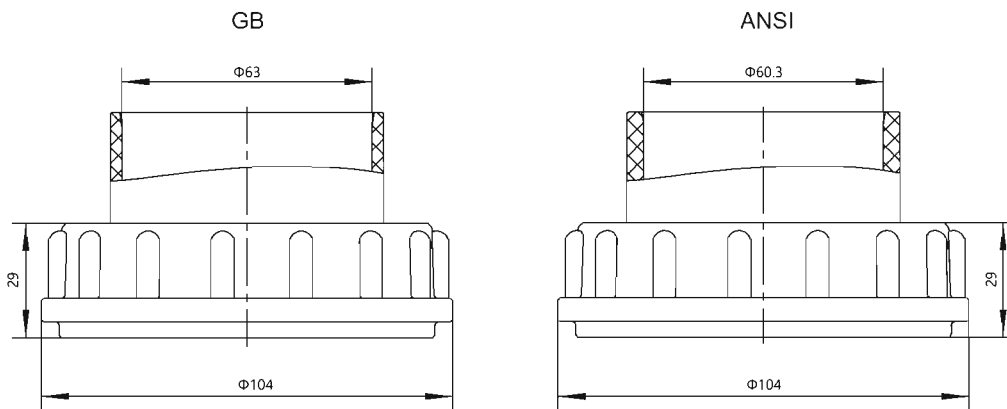
| Model    | P <sub>1</sub> |      | Max Head<br>[m] | Max Flow |         | Packing Size<br>L*W*H[cm] | GW<br>[KG] | Flow Q | Head H[m] |         |      |      |      |      |      |     |    |    |  |
|----------|----------------|------|-----------------|----------|---------|---------------------------|------------|--------|-----------|---------|------|------|------|------|------|-----|----|----|--|
|          | [KW]           | [HP] |                 | [m³/h]   | [l/min] |                           |            |        | [m³/h]    | [l/min] | 3    | 6    | 9    | 12   | 15   | 18  | 21 | 24 |  |
| NSW-L50  | 0.55           | 0.75 | 8.5             | 17.0     | 283     | 48*26*35                  | 10.1       |        | 8.6       | 8.5     | 7.6  | 6.5  | 5.0  |      |      |     |    |    |  |
| NSW-L75  | 0.75           | 1    | 12.0            | 21.0     | 350     | 48*26*35                  | 10.7       |        | 12.0      | 12.5    | 12.0 | 11.0 | 9.1  | 7.1  | 4.5  |     |    |    |  |
| NSW-L100 | 0.9            | 1.2  | 14.5            | 24.0     | 400     | 56*26*35                  | 13.1       |        | 14.0      | 13.7    | 13.7 | 13.2 | 12.0 | 9.7  | 7.2  | 4.0 |    |    |  |
| NSW-L120 | 1.1            | 1.5  | 16.5            | 25.0     | 417     | 56*26*35                  | 14.3       |        | 16.5      | 16.1    | 15.5 | 14.5 | 13.2 | 11.2 | 8.9  | 6.4 |    |    |  |
| NSW-L150 | 1.5            | 2    | 19.0            | 28.0     | 467     | 56*26*35                  | 15.5       |        | 18.5      | 18.4    | 17.6 | 16.5 | 15.3 | 13.5 | 11.3 | 8.9 |    |    |  |

# Pool Pump Joint Assembly

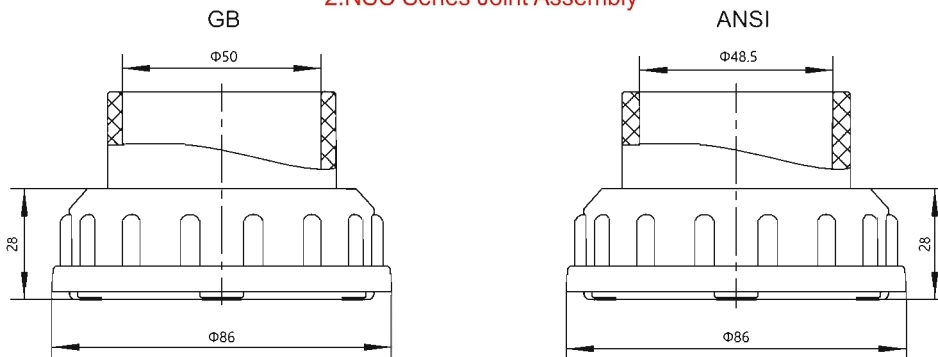
## Model Definition



### 1.NSA Series Joint Assembly

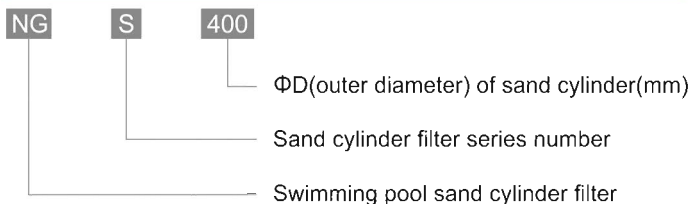


### 2.NSC Series Joint Assembly



# NGS Fiberglass Sand Filter Top Mount

## Model Definition



## Product Profile

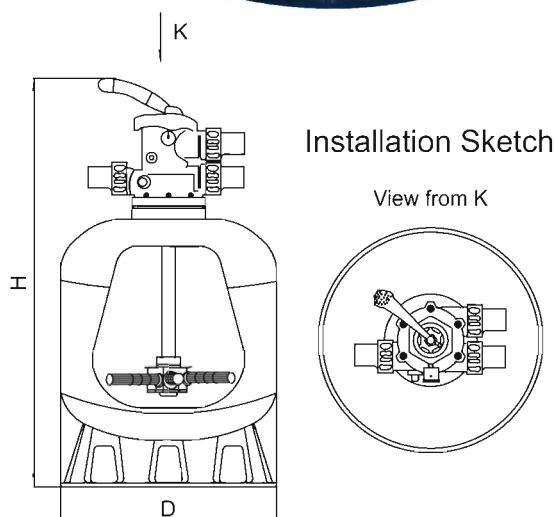
- NGS ejector sand cylinder filter is made of glass fiber and resin with good chemical corrosion resistance, sun protection and UV protection. Sand cylinder has a certain degree of elasticity, not easy to crack and broken. The design of water distributor is unique and efficiency of culvert drainage system is high. After filtering the pool water through the sand tank filter, the effluent turbidity is less than 2 degrees, which has the priority in the filtration system of swimming pool, SPA, water scape and water park.

## Working Condition

- Working Temp: 5-50°C
- Max Working Pressure: 0.25MPa
- Ambient Temp:  $\leq 50^\circ\text{C}$

## Characteristics

- Polyurethane protective layer to protect against ultraviolet rays
- Six-way valve designed ergonomically
- Excellent filtering ability
- Chemical corrosion resistance
- Pressure gauges showing the dynamic pressure
- With side flushing functions, simple operation, no maintenance costs.
- The bottom discharge valve facilitates the removal or replacement of sand in the cylinder.

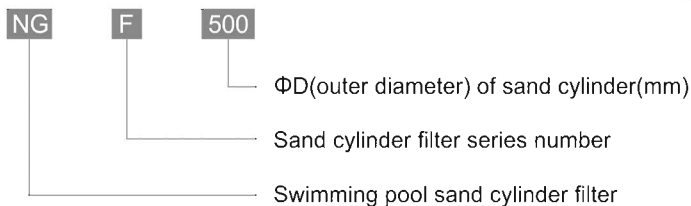


## Performance Table

| Model    | D [inch/mm]      | Inter& Outlet [inch] | Flow [m³/h] | Flow [l/min] | Filtration Area [m²] | Filter Material [KG] | H [mm] | Size [mm]      | Weight [KG] |
|----------|------------------|----------------------|-------------|--------------|----------------------|----------------------|--------|----------------|-------------|
| NGS-400  | 16"/ $\Phi$ 400  | 1.5"                 | 6.3         | 105          | 0.13                 | 35                   | 435    | 410*410*490    | 11.5        |
| NGS-450  | 18"/ $\Phi$ 450  | 1.5"                 | 7           | 117          | 0.14                 | 50                   | 725    | 440*440*540    | 12.5        |
| NGS-500  | 20"/ $\Phi$ 500  | 1.5"                 | 10          | 167          | 0.20                 | 80                   | 805    | 510*510*670    | 14          |
| NGS-600  | 24"/ $\Phi$ 600  | 1.5"                 | 15          | 250          | 0.30                 | 160                  | 875    | 630*630*670    | 19          |
| NGS-700  | 28"/ $\Phi$ 700  | 1.5"                 | 18.5        | 308          | 0.37                 | 220                  | 975    | 710*710*670    | 22.5        |
| NGS-800  | 32"/ $\Phi$ 800  | 2"                   | 25          | 417          | 0.50                 | 370                  | 1145   | 830*830*930    | 39.5        |
| NGS-900  | 36"/ $\Phi$ 900  | 2"                   | 30          | 500          | 0.64                 | 447                  | 1255   | 900*900*990    | 40          |
| NGS-1000 | 40"/ $\Phi$ 1000 | 2"                   | 35          | 583          | 0.79                 | 700                  | 1350   | 1030*1030*1200 | 55          |
| NGS-1100 | 44"/ $\Phi$ 1100 | 2"                   | 44          | 733          | 0.98                 | 960                  | 1490   | 1135*1135*1260 | 60          |
| NGS-1200 | 48"/ $\Phi$ 1200 | 2"                   | 50          | 833          | 1.13                 | 1200                 | 1555   | 1230*1230*1380 | 68          |
| NGS-1400 | 56"/ $\Phi$ 1400 | 2"                   | 68          | 1133         | 1.53                 | 1700                 | 1775   | 1410*1410*1550 | 96          |

# NGF Fiberglass Sand Filter Side Mount

## Model Definition



## Product Profile

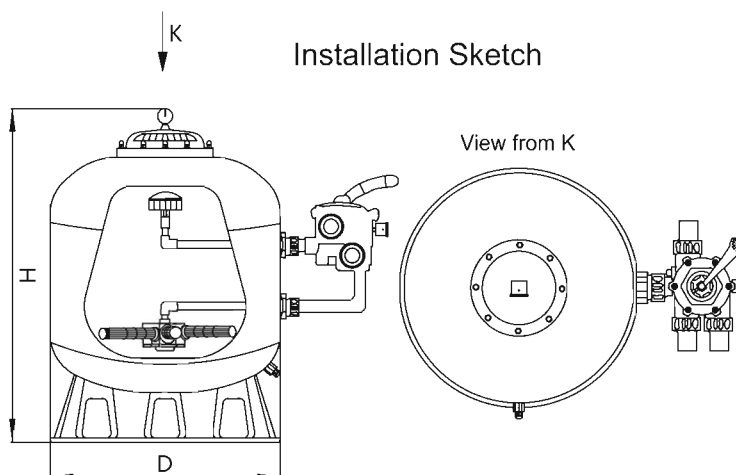
- NGS ejector sand cylinder filter is made of glass fiber and resin with good chemical corrosion resistance, sun protection and UV protection. Sand cylinder has a certain degree of elasticity, not easy to crack and broken. The design of water distributor is unique and efficiency of culvert drainage system is high. After filtering the pool water through the sand tank filter. The effluent turbidity is less than 2 degrees which has the priority in the filtration system of swimming pool, SPA, water scape and water park.

## Working Condition

- Working Temp: 5-50°C
- Max working pressure: 0.25MPa
- Ambient Temp: ≤50°C

## Characteristics

- The cylinder body is made of glass fiber, and the surface is treated with uv protection
- Ergonomic design of six - way valve
- Stainless steel shockproof pressure gauge
- Built-in filter bottom tube, easy maintenance
- The bottom sand discharge valve facilitates the removal of goods to replace sand in the sand cylinder.



## Performance Table

| Model    | D [inch/mm] | Inter& Outlet [inch] | Flow [m³/h] | Flow [l/min] | Filtration Area[m²] | Filter Material [KG] | H [mm] | Size [mm]      | Weight [KG] |
|----------|-------------|----------------------|-------------|--------------|---------------------|----------------------|--------|----------------|-------------|
| NGF-500  | 20"/ø500    | 1.5"                 | 10          | 167          | 0.20                | 80                   | 590    | 510*510*670    | 14          |
| NGF-600  | 24"/ø600    | 1.5"                 | 15          | 250          | 0.30                | 160                  | 660    | 630*630*670    | 19          |
| NGF-700  | 28"/ø700    | 1.5"                 | 18.5        | 308          | 0.37                | 220                  | 740    | 710*710*670    | 22.5        |
| NGF-800  | 32"/ø800    | 2"                   | 25          | 417          | 0.50                | 370                  | 890    | 830*830*930    | 39.5        |
| NGF-900  | 36"/ø900    | 2"                   | 30          | 500          | 0.64                | 447                  | 960    | 900*900*990    | 40          |
| NGF-1000 | 40"/ø1000   | 2"                   | 35          | 583          | 0.79                | 700                  | 1080   | 1030*1030*1200 | 57          |
| NGF-1200 | 48"/ø1200   | 2"                   | 50          | 833          | 1.13                | 1200                 | 1250   | 1230*1230*1380 | 68          |



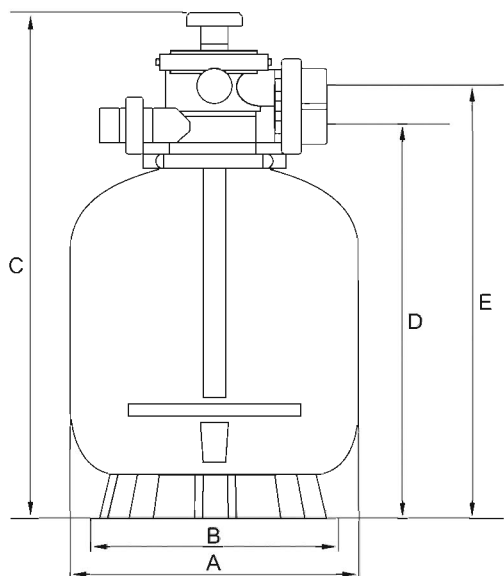
# NGA Plastic Sand Filter Top Mount

## Working Condition

- Max Working Pressure:200kpa/28psi/2.0bar
  - Factory Testing Pressure:300kpa/44psi/3.0bar
  - Max Water Temp:40°C(104°F)
  - Size Of Silica Sand:0.5-0.8mm
  - Max Filtration Velocity:50m³/h/m²
- Color can be customized

## Features

- Compact and light weight
- Designed for most swimming pools or SPA pools
- Clamp lock is designed to allow 360 degree rotation to simplify installation
- Easy-to-use multiport valve lets you select any of the valve/filter operation with a simple lever-action



## Performance Table

| Model No. | A   |      | B   |      | C    |      | D   |      | E   |      | Filter Area [m²] | Valve Connections |      | Max Flow Rate |          | Sand [KG] |
|-----------|-----|------|-----|------|------|------|-----|------|-----|------|------------------|-------------------|------|---------------|----------|-----------|
|           | mm  | in   | mm  | in   | mm   | in   | mm  | in   | mm  | in   |                  |                   |      |               |          |           |
| NGA2501   | 360 | 14.2 | 340 | 13.4 | 730  | 28.7 | 550 | 21.7 | 619 | 24.4 | 0.1              | 1.5inch           | 50mm | 72LPM         | 4.32m³/h | 20        |
| NGA2502   | 400 | 15.7 | 340 | 13.4 | 810  | 31.9 | 590 | 23.2 | 640 | 25.2 | 0.13             | 1.5inch           | 50mm | 102LPM        | 6.12m³/h | 35        |
| NGA2503   | 460 | 18.1 | 420 | 16.5 | 840  | 33.1 | 638 | 25.1 | 698 | 27.5 | 0.16             | 1.5inch           | 50mm | 130LPM        | 7.8m³/h  | 45        |
| NGA2504   | 510 | 20.1 | 420 | 16.5 | 860  | 33.9 | 670 | 26.4 | 730 | 28.7 | 0.22             | 1.5inch           | 50mm | 180LPM        | 10.8m³/h | 85        |
| NGA2505   | 620 | 24.4 | 480 | 18.9 | 1075 | 42.3 | 900 | 35.4 | 960 | 37.8 | 0.31             | 1.5inch           | 50mm | 255LPM        | 15.3m³/h | 145       |

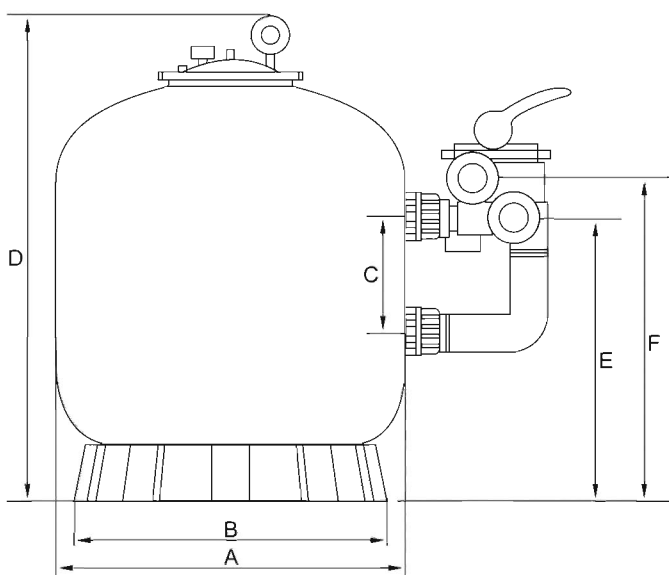
# NGC Plastic Sand Filter Side Mount

## Working Condition

- Max Working Pressure: 200kpa/28psi/2.0bar
  - Factory Testing Pressure: 300kpa/44psi/3.0bar
  - Max Water Temp: 40°C(104°F)
  - Size Of Silica Sand: 0.5-0.8mm
  - Max Filtration Velocity: 50m<sup>3</sup>/h/m<sup>2</sup>
- Color can be customized

## Features

- Transparent lid cover allows easy inspection of the sand bed
- Top diffuser ensures even distribution of water over the top of the sand bed
- Air relief enables easy release of trapped air during operation of the filter
- Easy-to-use multiport valve lets you select any of the valve/filter operation with a simple lever-action



## Performance Table

| Model No. | A   |      | B   |      | C   |     | D   |      | E   |      | F   |      | Filter Area [m <sup>2</sup> ] | Valve Connections | Max Flow Rate                | Sand [KG] |
|-----------|-----|------|-----|------|-----|-----|-----|------|-----|------|-----|------|-------------------------------|-------------------|------------------------------|-----------|
|           | mm  | in   | mm  | in   | mm  | in  | mm  | in   | mm  | in   | mm  | in   |                               |                   |                              |           |
| NGC2506   | 460 | 18.1 | 420 | 16.5 | 180 | 7.1 | 660 | 26   | 440 | 17.3 | 500 | 19.6 | 0.16                          | 1.5inch 50mm      | 130LPM 7.8m <sup>3</sup> /h  | 45        |
| NGC2507   | 510 | 20.1 | 420 | 16.5 | 180 | 7.1 | 700 | 27.6 | 460 | 18.1 | 520 | 19.6 | 0.22                          | 1.5inch 50mm      | 180LPM 10.8m <sup>3</sup> /h | 85        |
| NGC2508   | 620 | 24.4 | 480 | 18.9 | 180 | 7.1 | 940 | 37   | 510 | 20.1 | 570 | 22.4 | 0.31                          | 1.5inch 50mm      | 255LPM 15.3m <sup>3</sup> /h | 145       |

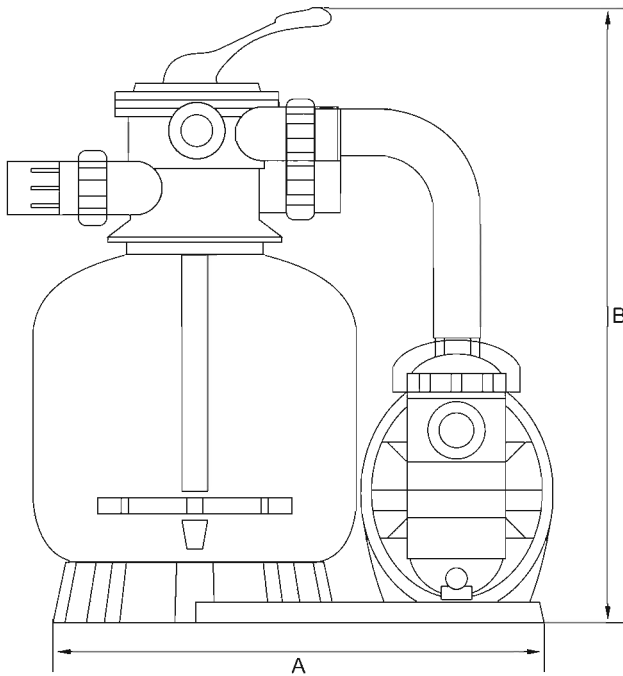
# NGW Plastic Sand Filter Filtration Combo

## Working Condition

- Max Working Pressure: 200kpa / 28psi / 2.0bar
- Factory Testing Pressure: 300kpa / 44psi / 3.0bar
- Max Water Temp: 40°C(104°F)
- Size Of Silica Sand: 0.5-0.8mm  
Color can be customized

## Features

- Compact and light weight
- Designed for most domestic swimming pools or SPA pools
- Clamp lock is designed to allow 360 degree rotation to simplify installation
- Easy-to-use multiport valve lets you select any of the valve/ filter operation with a simple lever-action



## Performance Table

| Model No. | A   |      | B   |      | Filter Area [m <sup>2</sup> ] | Pump [KW] | Valve Connections |      | Max Flow Rate |                       | Sand [KG] |
|-----------|-----|------|-----|------|-------------------------------|-----------|-------------------|------|---------------|-----------------------|-----------|
|           | mm  | in   | mm  | in   |                               |           |                   |      |               |                       |           |
| NGW2509   | 360 | 14.2 | 750 | 28.5 | 0.1                           | 0.25      | 1.5inch           | 50mm | 72LPM         | 4.32m <sup>3</sup> /h | 20        |
| NGW2510   | 410 | 16.1 | 815 | 32.1 | 0.13                          | 0.37      | 1.5inch           | 50mm | 102LPM        | 6.48m <sup>3</sup> /h | 35        |
| NGW2511   | 460 | 18.1 | 820 | 32.3 | 0.16                          | 0.55      | 1.5inch           | 50mm | 135LPM        | 8.1m <sup>3</sup> /h  | 45        |
| NGW2512   | 520 | 20.5 | 845 | 33.3 | 0.22                          | 0.75      | 1.5inch           | 50mm | 185LPM        | 11.1m <sup>3</sup> /h | 85        |

## HANGZHOU MAYGO POOL TECHNOLOGY CO.,LTD.



### Head Office Add

202, Floor 2, Building 7, No.20, Hengyi Street Yuhang Economic And Technological Development Zone, Donghu Street, Linping District, Hangzhou City, Zhejiang Province, China, 311100



### Factory Add

No.46, Renhe Avenue, Renhen Subdistrict, Yuhang District, Hangzhou, China, 311107



+86-13968075984

+86-13516725229



sales@maygopool.com

wangxin@maygopool.com



[www.maygopool.com](http://www.maygopool.com)

SEARCH

