

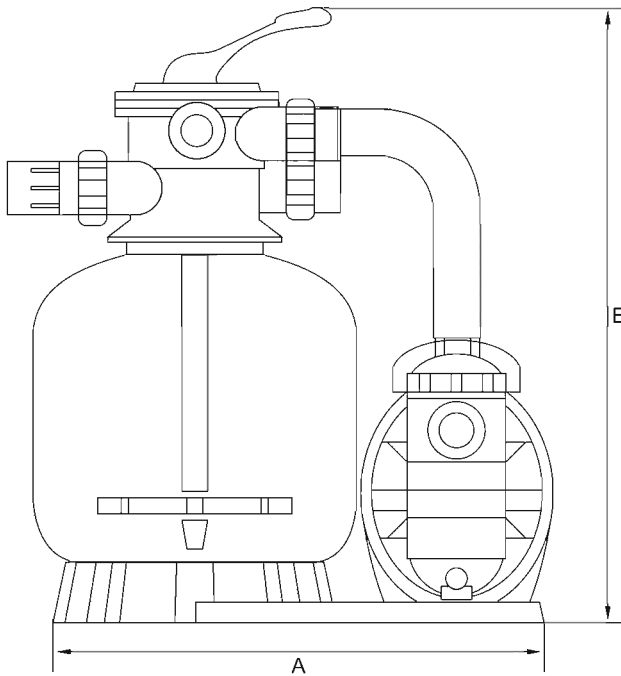
NGW Plastic Sand Filter Filtration Combo

Working Condition

- Max Working Pressure: 200kpa / 28psi / 2.0bar
- Factory Testing Pressure: 300kpa / 44psi / 3.0bar
- Max Water Temp: 40°C(104°F)
- Size Of Silica Sand: 0.5-0.8mm
Color can be customized

Features

- Compact and light weight
- Designed for most domestic swimming pools or SPA pools
- Clamp lock is designed to allow 360 degree rotation to simplify installation
- Easy-to-use multiport valve lets you select any of the valve/ filter operation with a simple lever-action



Performance Table

Model No.	A		B		Filter Area [m ²]	Pump [KW]	Valve Connections		Max Flow Rate		Sand [KG]
	mm	in	mm	in							
NGW2509	360	14.2	750	28.5	0.1	0.25	1.5inch	50mm	72LPM	4.32m ³ /h	20
NGW2510	410	16.1	815	32.1	0.13	0.37	1.5inch	50mm	102LPM	6.48m ³ /h	35
NGW2511	460	18.1	820	32.3	0.16	0.55	1.5inch	50mm	135LPM	8.1m ³ /h	45
NGW2512	520	20.5	845	33.3	0.22	0.75	1.5inch	50mm	185LPM	11.1m ³ /h	85